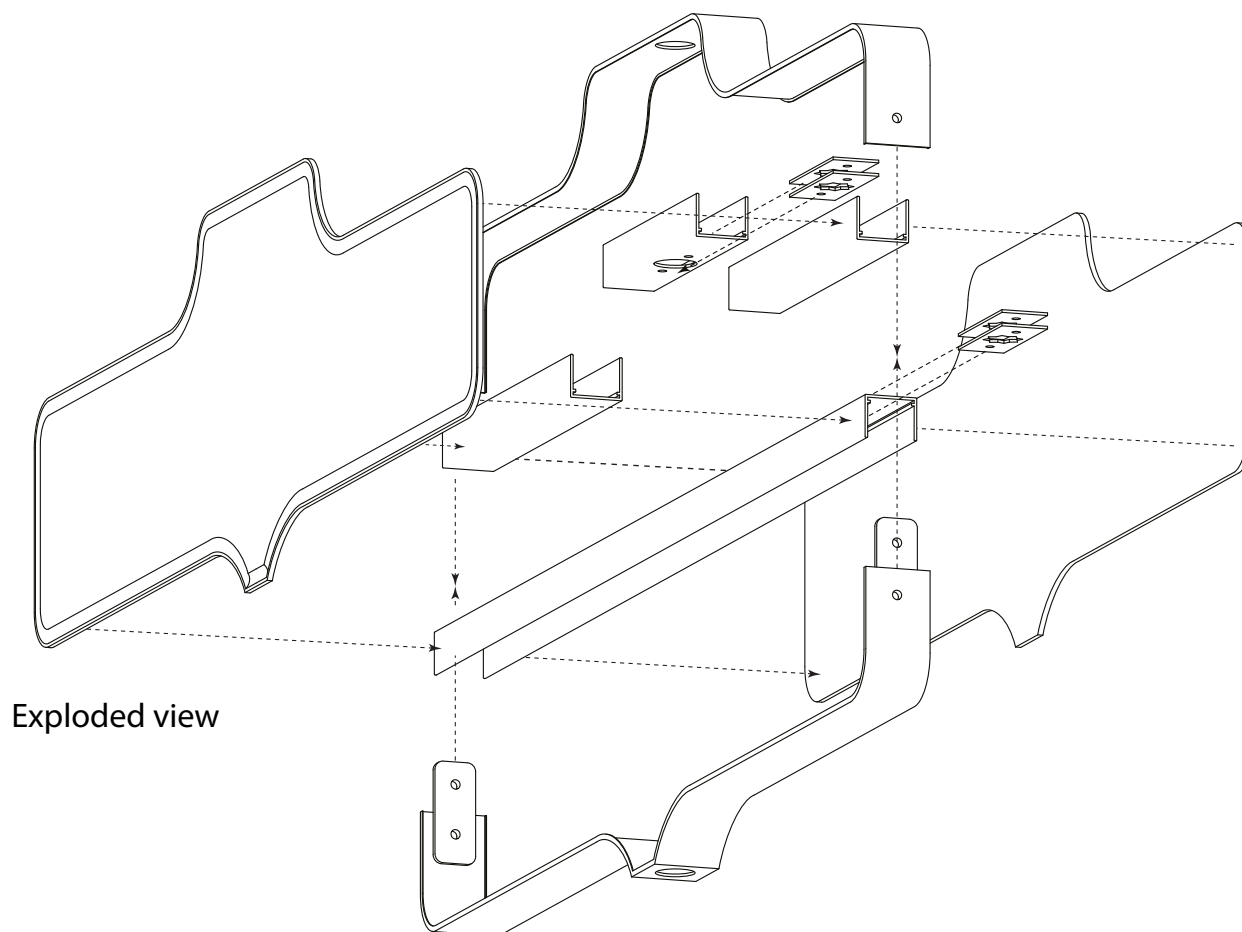


STREET NAME SIGN

3D Delux 40 mm (patent pending)

TECHNICAL SPECIFICATIONS :

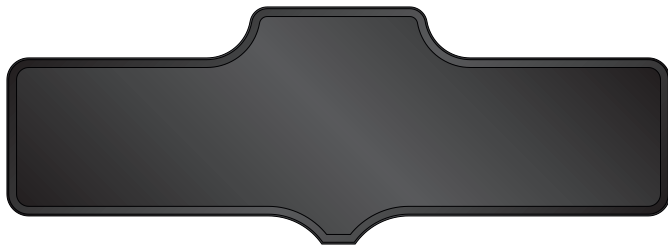
- Digital cut of two (2) 5052 H32 Aluminum alloy panels
 - Thickness : 3.2 mm (1/8 in)
- Extruded aluminum alloy bars, point welded to each side
- Spherical groove around the outside rim of each side
 - Depth : 1.4 mm
 - Width : 8 mm
- Hydraulic pressed 6063-T4, Aluminum alloy cover perfectly fitted to actual panel shape
- 4 stainless steel internal orientation flatbars, 45° adjustable, anti-swivel
- Molded aluminum ornamental cap with one (1) blocking set screw
- Hot-dip galvanized steel threaded square rod, fixed on an aluminum sign post bracket with four (4) blocking set-screws
- Overall thickness : 40 mm (1.5 in)
- Height : 240 and 270 mm (9.5 and 10.5 in)
- Width : 755 and 910 (30 and 36 in)



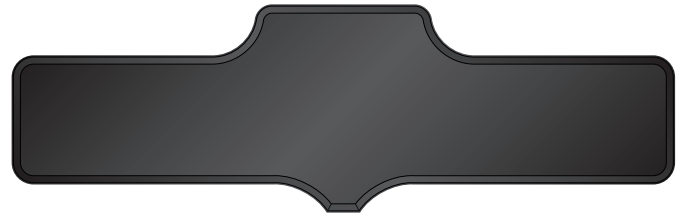
Note : Kalitec reserves the right to modify parts design without notice

STREET NAME SIGN

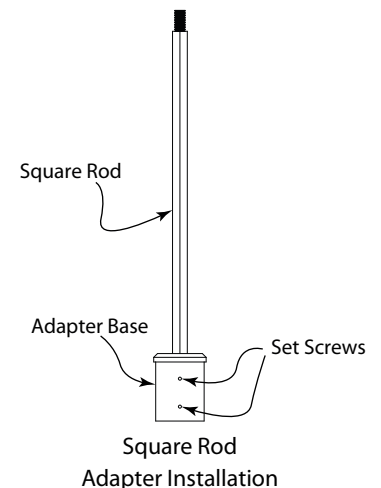
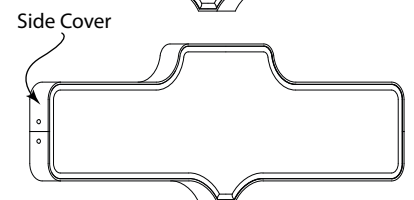
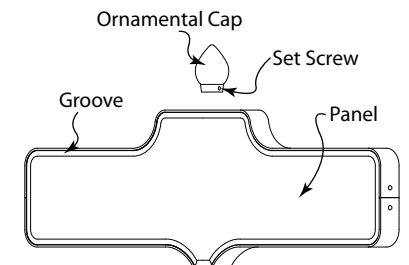
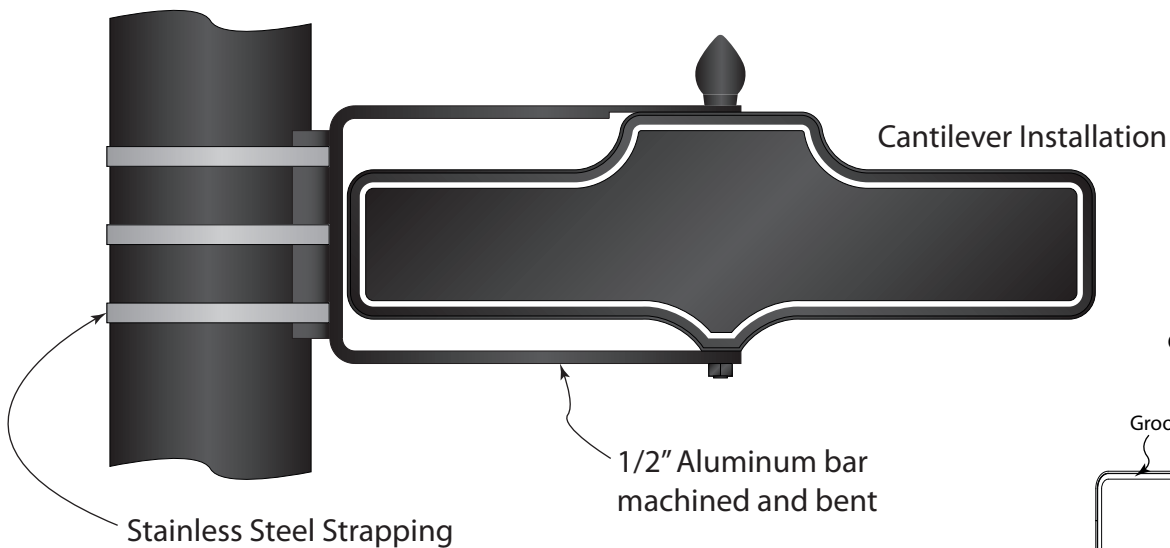
3D Delux 40 mm (patent pending)



755 x 270 mm Sign



755 x 240 mm Sign



Surface finishes :

1. Pre-Treatment

- **MecaniK^{MC}** : Surface Sanding to increase coating adhesion
- **ChimiK^{MC}** : Cleaning and degreasing to further increase coating adhesion and corrosion resistance

2. Exterior polyester powder-coating

- **Exak^{MC}** : Colour powder-coating
- **Metallik^{MC}** : Metallic colour powder-coating
- **Uptek^{MC}** : Black, smooth or textured powder-coating
- **Galvanik^{MC}** : Natural (aluminum)

Note : Kalitec reserves the right to modify parts design without notice